

Support for timber cladding

Lewis Taylor explains methods of fixing cladding to support structures

Good design detailing is imperative to the aesthetic appeal, robustness and long-term durability of timber cladding. Providing a ventilated cavity behind the cladding, designing out moisture traps and avoiding differential exposure to moisture will enhance durability and reduce the risks of differential weathering.

The cavity behind any timber cladding should not be less than 19mm in width but the width is usually determined by the size of battens necessary to accommodate the fixings for the boards. For standard nails the battens should be at least 2.5 times the thickness of the boards to be fixed but, with improved nails (such as annular ring shank) or screws, a batten twice the thickness of the board is adequate. Generally battens to which the boards are fixed should be not less than 38mm x 38mm.

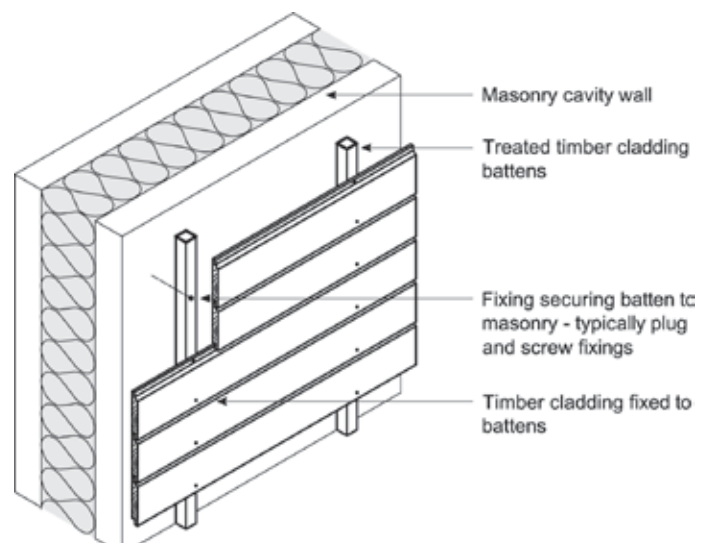
Battens

Where cladding battens are installed over a timber frame structure, they are normally fixed into the solid timber studs through the breather membrane and sheathing board using maximum 600mm centres. Where cladding battens are installed over a masonry structure, they are normally fixed at maximum 600mm centres using suitable plug and screw type fasteners. A damp proof course (DPC) may be specified between the timber batten and the masonry structure behind to reduce the risk of prolonged moisture transfer from the masonry to timber batten. This risk will vary depending on board profile and orientation.

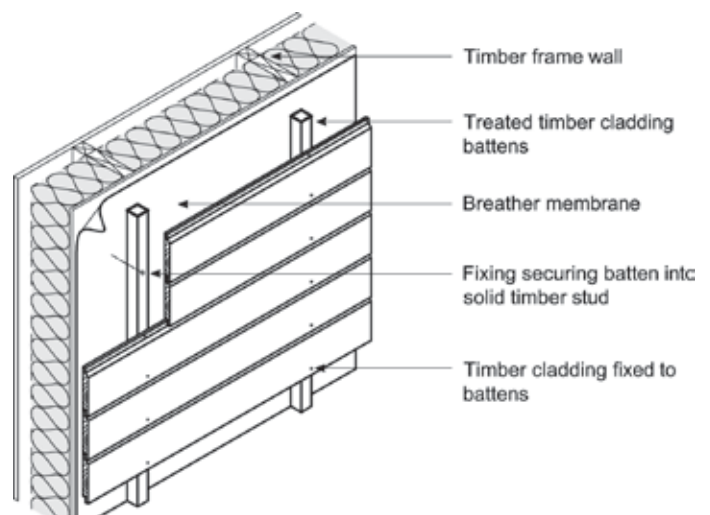
Depending on the imposed load of the cladding and likely wind loadings, a structural engineer may need to determine the exact fixing specification. Where cladding battens are to be fixed through layers of insulation, a structural engineer should be asked to calculate what

fixings are required as fixings will have to resist bending forces due to the weight of the cladding as well as the more typical shear and withdrawal forces.

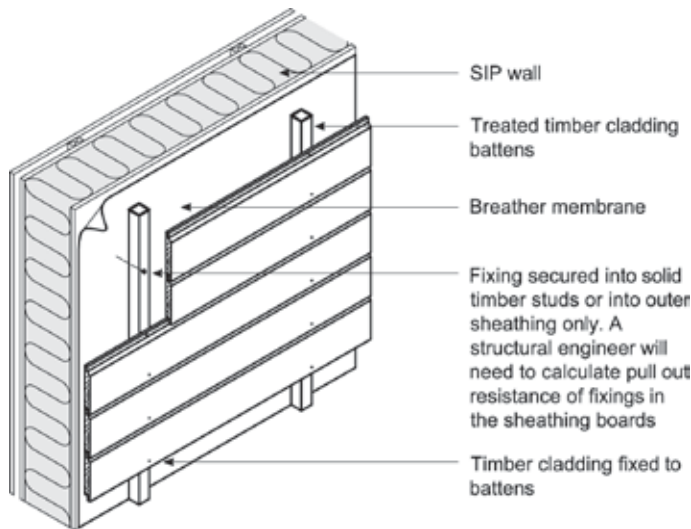
Support battens should not exceed 600mm spacing, whether vertical or horizontal, to limit the span of the cladding board and therefore its thickness. Limiting the spacing of the support battens with the relatively close spacing of fixings will tend to restrain any natural tendency for the boards to twist, bow or cup. Also if boards are to be used green, batten centres should preferably be reduced to 400mm or maximum 500mm centres. Although single fixings are adequate for boards less than 100mm wide, sections narrower than this may rotate around the single fixing and, in this case, it is again advisable to reduce batten centres to 400mm maximum spacing to resist this movement.



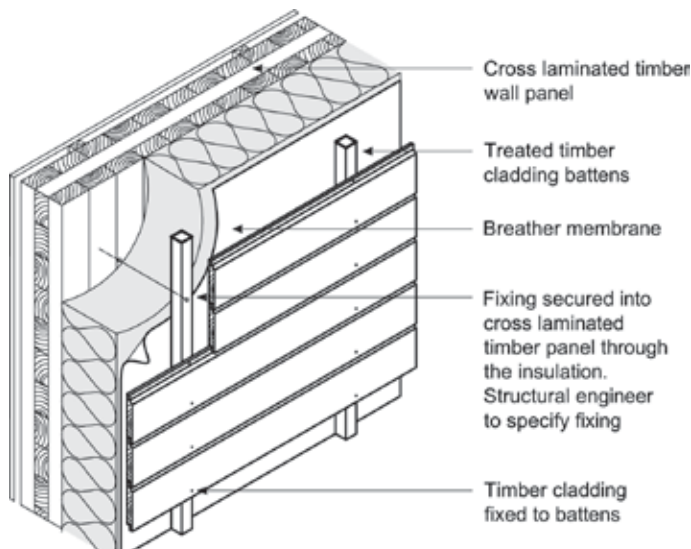
Battens fixed to masonry



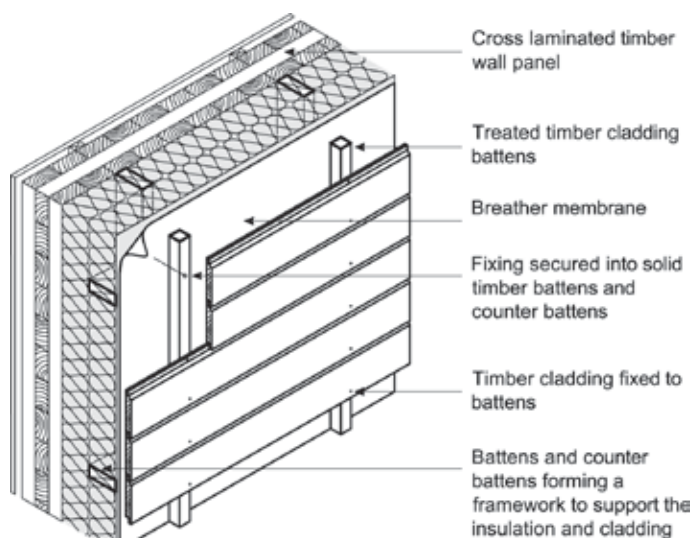
Battens fixed to timber frame



Battens fixed to structural insulated panel



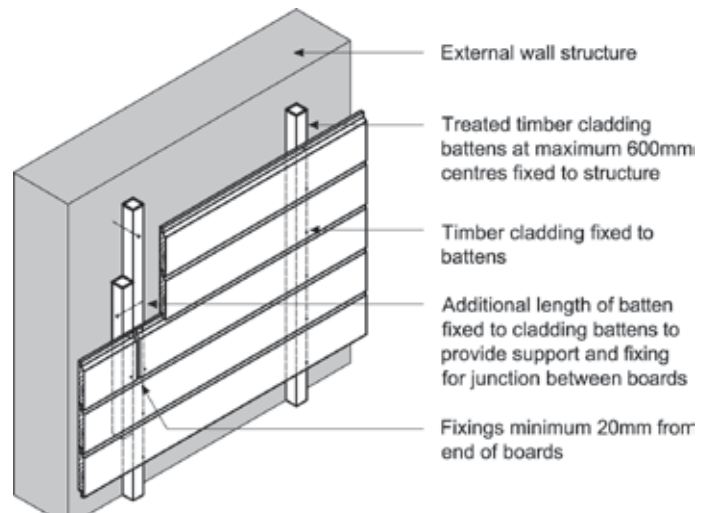
Battens fixed to cross-laminated timber with rigid insulation



Battens fixed to cross-laminated timber with battens and counter battens.

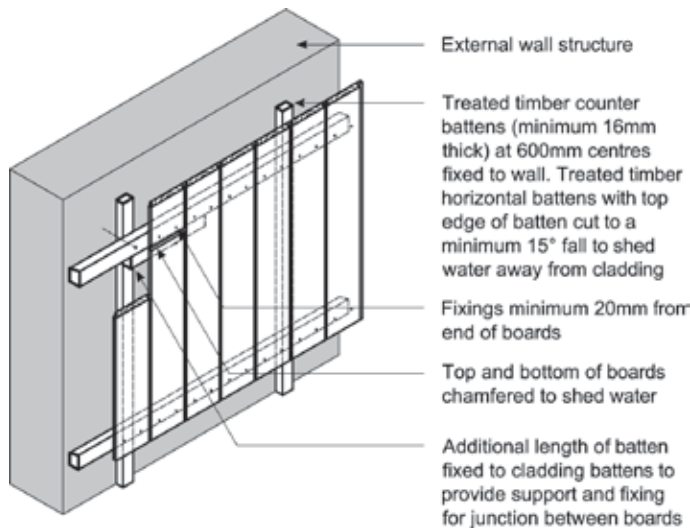
Cladding

Horizontal boards are fixed to vertical battens and these will not restrict either drainage or the vertical circulation of air in the cavity, providing that horizontal battens are omitted at the top and bottom of the cladding. If these are necessary to provide support for fixings for other components, they should be smaller than the vertical battens in order to not to block the ventilation path. If horizontal fire resistant cavity barriers are fitted, consider how ventilation will be provided. The use of intumescent cavity barriers is typical as these allow ventilation of the cavity in normal conditions, but will close off the cavity in the event of a fire.

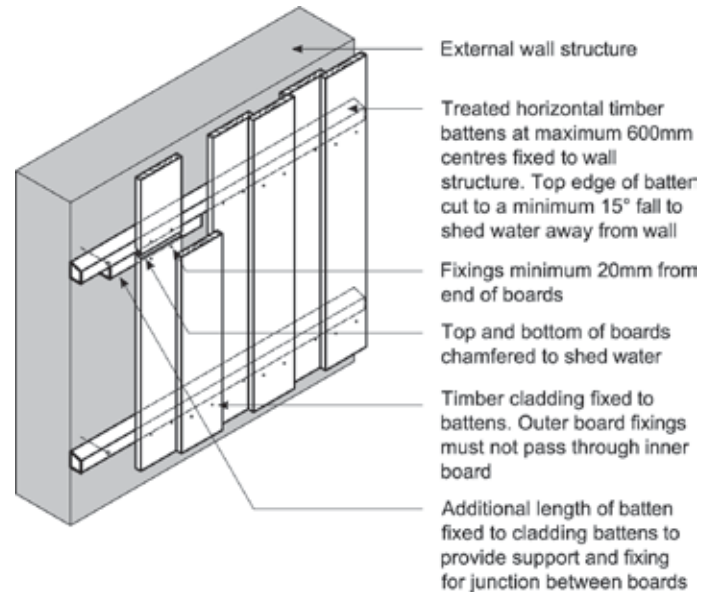


Horizontal weatherboarding on vertical timber battens

Vertical boards will be fixed to horizontal battens and if the boards are tight-jointed, these battens will prevent drainage and vertical circulation of air within the cavity and so it is necessary to introduce vertical counter battens behind the horizontal battens. Although a 12mm minimum gap would theoretically be adequate between the horizontal battens and the inner wall, counter battens should be increased in thickness to avoid the risk of the wood splitting when the battens are fixed through to timber studwork or masonry behind. If the horizontal battens are only to be fixed to the counter battens, rather than fixed through to timber studs behind, the counter battens must be of sufficient thickness to take the required fixings. As the horizontal battens are unsupported other than by studs or counter battens, they should also be stiff enough not to flex unduly when the boards are nailed to them.



Vertical tongued and grooved boarding on horizontal battens and counter battens



Board-on-board cladding on horizontal timber battens

If a board-on-board or an open-jointed type of vertical cladding is used it is not necessary to provide counter battens as there will be sufficient ventilation and drainage behind the outer boards or through the open joints. In this case it is preferable that horizontal battens be chamfered on the top edge to shed any water outwards. When vertical counter battens are used, the horizontal battens should be chamfered to slope inwards and drain any water into the cavity behind the horizontal battens.



Lewis Taylor
Technical Consultant
BM TRADA

Supporting services

Visit the BM TRADA Bookshop at <http://bookshop.trada.co.uk> for this related publication:

- External timber cladding, 3rd edition, ISBN 978-1909594005, TRADA Technology, 2013

